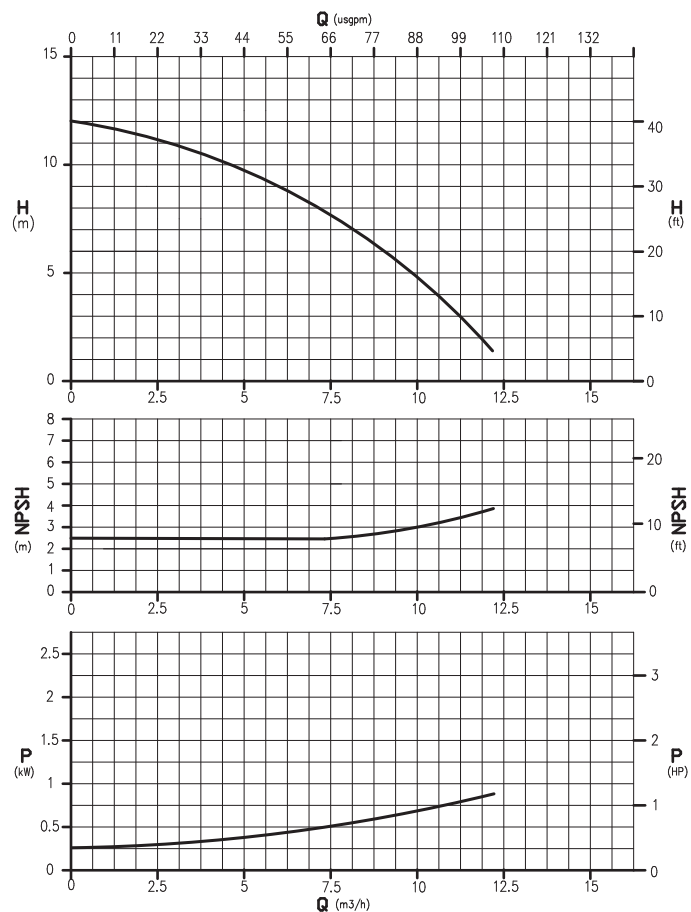


FEATURES/CARATTERISTICHE

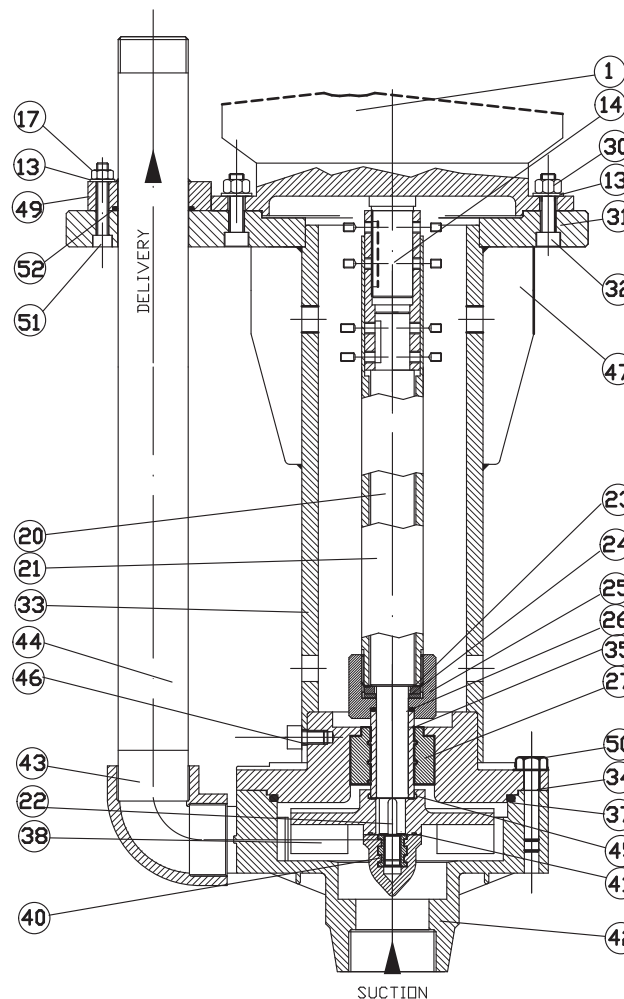
Pump HV/Pompa HV: Vertical centrifugal monobloc
Verticale centrifuga monoblocco

Materials available/Materiali disponibili: PP-PVDF
Max flow/Portata massima: 12 m³/h
Max head/Prevalenza massima: 12m
Max temperature/Temperatura massima: PP 60°C/PVDF 90°C

CURVES/CURVE 50HZ-2900 RPM

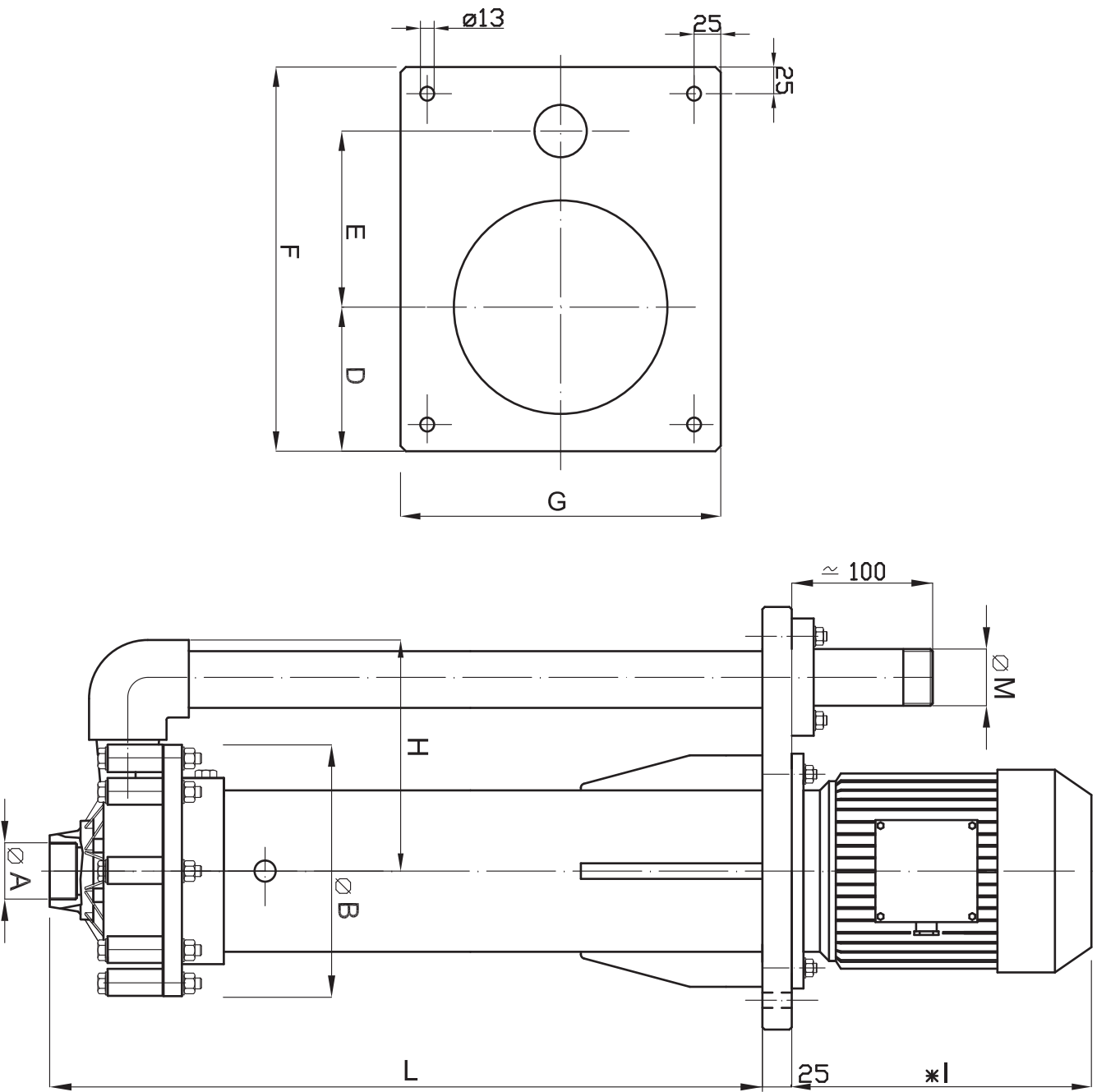


SECTION AND PARTS LIST/SEZIONE E LISTA PARTI



POS	DESCR.	MAT.
1	Motor	
13	Washer	AISI304
14	Motor-Pump Joint	AISI304-316
17	Nut	AISI304
20	Shaft	C40
21	Shaft covering	PP
22	Key	AISI304
23	Washer	AISI304
24	Washer	AISI304
25	Guide shaft cov.	PP
26	O-ring	EPDM/VITON
27	Bushing	PTFEC
30	Nut	AISI304
31	Plate	PP
32	Screw	AISI304
33	Column	PP
34	Cover	PP/PVDF
35	Wear bushing	AI203
37	O-ring	EPDM/VITON
38	Impeller	PP/PVDF
40	Nut	AISI304
41	O-ring	EPDM/VITON
42	Pump head	PP/PVDF
43	Elbow	PP/PVDF
44	Flow pipe	PP/PVDF
45	O-ring	EPDM/VITON
46	Screw	AISI304
47	Reinforced wing	PP
49	Flange	PP
50	Screw	AISI304
51	Screw	AISI304
52	O-ring	EPDM/VITON

DIMENSIONS/DIMENSIONI D'INGOMBRO



PUMP TYPE	MOTOR FLANGE B5	POT. Kw	DIMENSIONS - mm -							L		
			Ø A	Ø M	Ø B	D	E	F	G		H	* I
HV 95	G 80 2A	0.75	2" FEMALE	1" 1/2" MALE	215	135	165	360	300	196	215	A RICHIESTA DA 500 A 1000mm ON REQUEST FROM 500 TO 1000mm

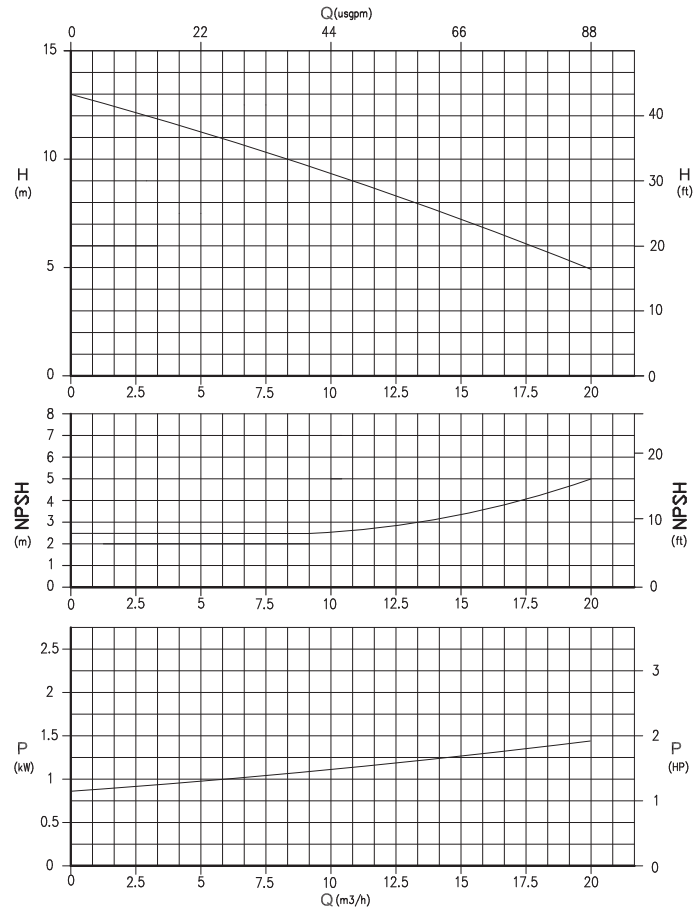
* Different according to the manufacturer / Diverso a seconda del fornitore

FEATURES/CARATTERISTICHE

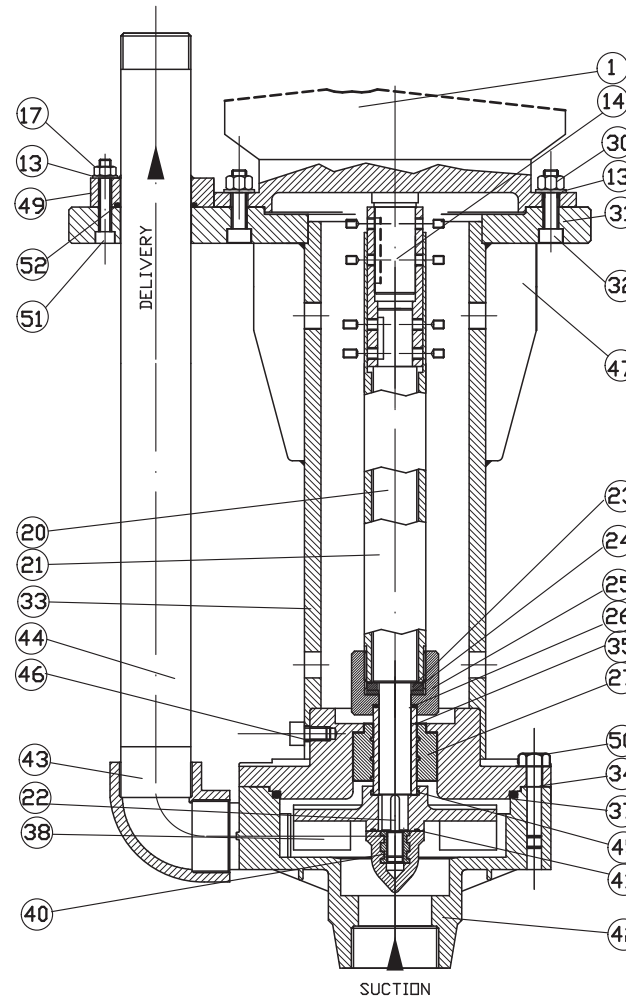
Pump HV/Pompa HV: Vertical centrifugal monobloc
Verticale centrifuga monoblocco

Materials available/Materiali disponibili: PP-PVDF
Max flow/Portata massima: 20 m³/h
Max head/Prevalenza massima: 13 m
Max temperature/Temperatura massima: PP 60°C/PVDF 90°C

CURVES/CURVE 50HZ-2900 RPM

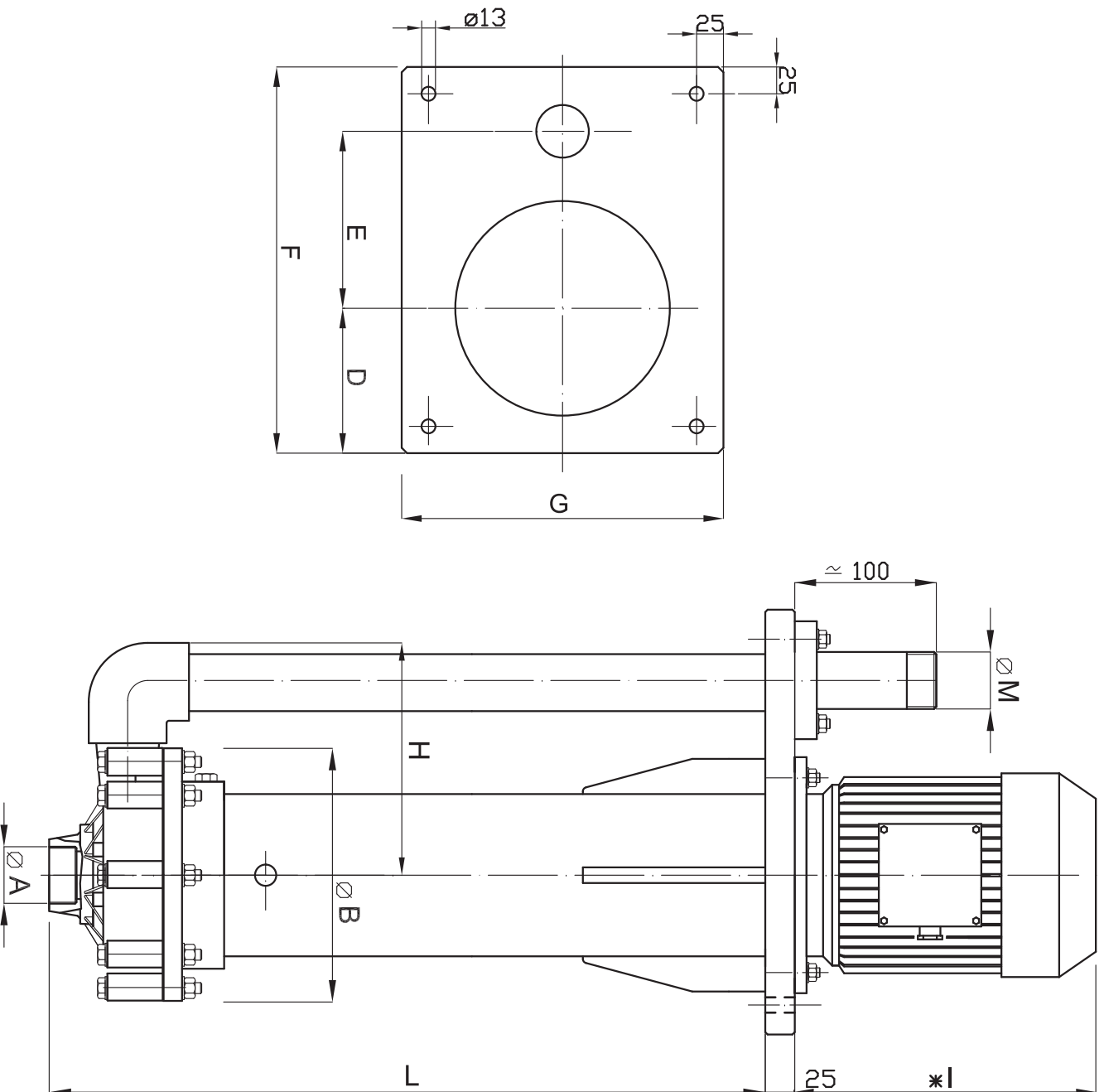


SECTION AND PARTS LIST/SEZIONE E LISTA PARTI



PDS	DESCR.	MAT.
1	Motor	
13	Washer	AISI304
14	Motor-Pump Joint	AISI304-316
17	Nut	AISI304
20	Shaft	C40
21	Shaft covering	PP
22	Key	AISI304
23	Washer	AISI304
24	Washer	AISI304
25	Guide shaft cov.	PP
26	O-ring	EPDM/VITON
27	Bushing	PTFEC
30	Nut	AISI304
31	Plate	PP
32	Screw	AISI304
33	Column	PP
34	Cover	PP/PVDF
35	Wear bushing	Al203
37	O-ring	EPDM/VITON
38	Impeller	PP/PVDF
40	Nut	AISI304
41	O-ring	EPDM/VITON
42	Pump head	PP/PVDF
43	Elbow	PP/PVDF
44	Flow pipe	PP/PVDF
45	O-ring	EPDM/VITON
46	Screw	AISI304
47	Reinforced wing	PP
49	Flange	PP
50	Screw	AISI304
51	Screw	AISI304
52	O-ring	EPDM/VITON

DIMENSIONS/DIMENSIONI D'INGOMBRO



PUMP TYPE	MOTOR FLANGE B5	POT. Kw	DIMENSIONS - mm -							L			
			Ø A	Ø M	Ø B	D	E	F	G		H	* I	
HV 110	G 80 2B	1.1	2" FEMALE	1 1/2" MALE	215	135	165	360	360	300	196	230	A RICHIESTA DA 500 A 1000mm ON REQUEST FROM 500 TO 1000mm

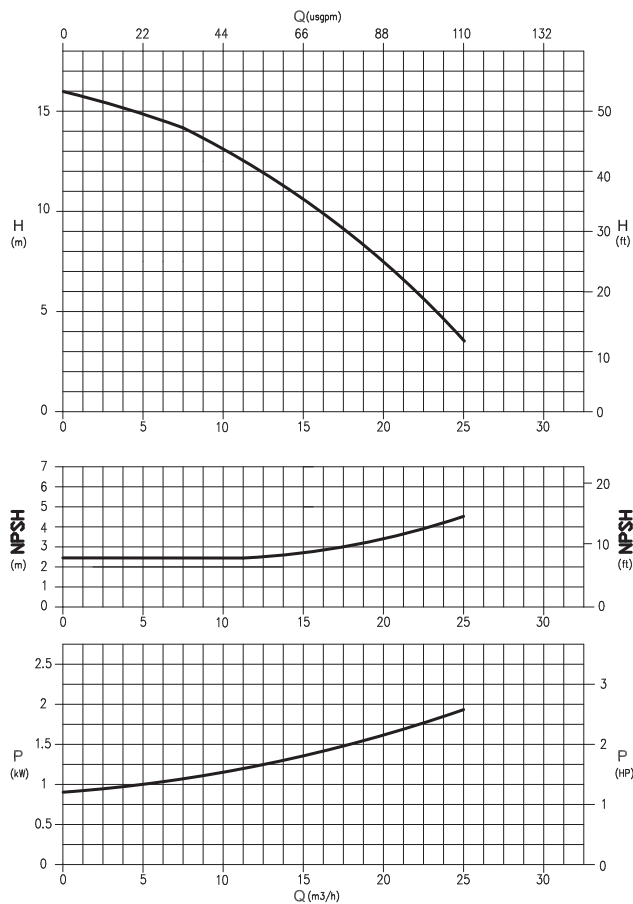
* Different according to the manufacturer / Diverso a seconda del fornitore

FEATURES/CARATTERISTICHE

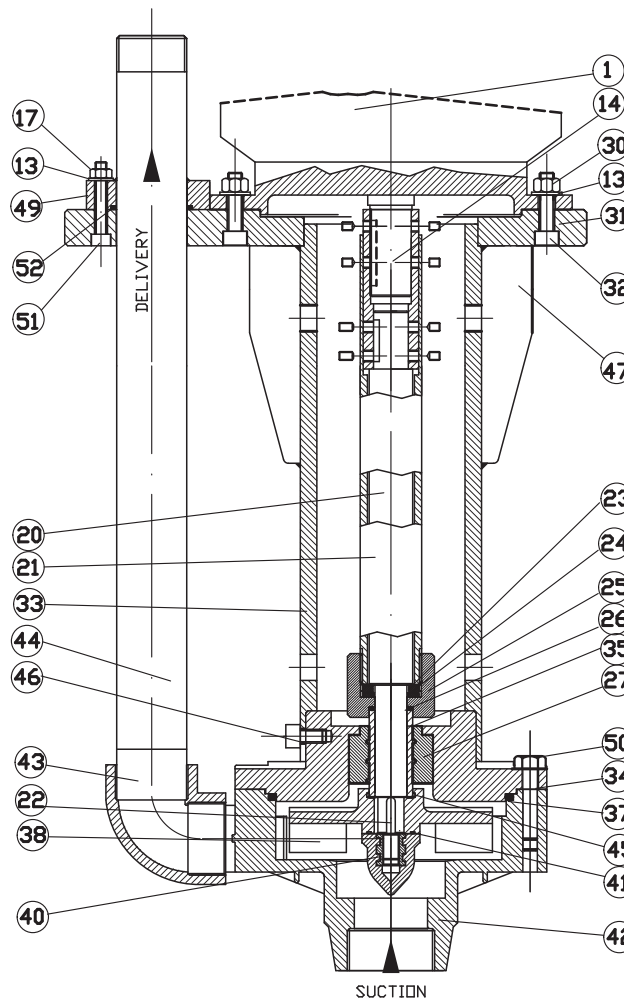
Pump HV/Pompa HV: Vertical centrifugal monobloc
Verticale centrifuga monoblocco

Materials available/Materiali disponibili: PP-PVDF
Max flow/Portata massima: 25 m³/h
Max head/Prevalenza massima: 16 m
Max temperature/Temperatura massima: PP 60°C/PVDF 90°C

CURVES/CURVE 50HZ-2900 RPM

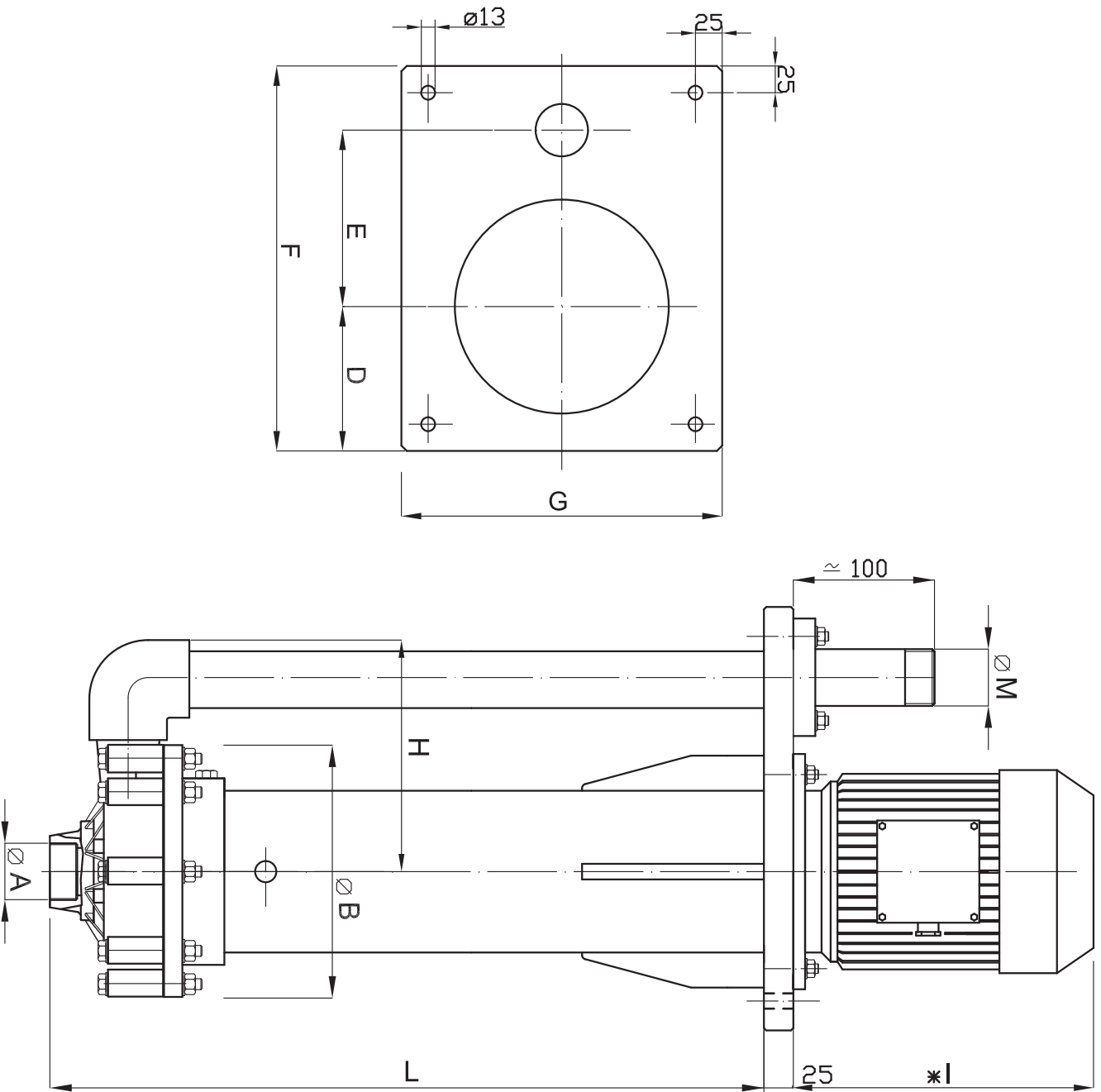


SECTION AND PARTS LIST/SEZIONE E LISTA PARTI



PDS	DESCR.	MAT.
1	Motor	
13	Washer	AISI304
14	Motor-Pump Joint	AISI304-316
17	Nut	AISI304
20	Shaft	C40
21	Shaft covering	PP
22	Key	AISI304
23	Washer	AISI304
24	Washer	AISI304
25	Guide shaft cov.	PP
26	O-ring	EPDM/VITON
27	Bushing	PTFEC
30	Nut	AISI304
31	Plate	PP
32	Screw	AISI304
33	Column	PP
34	Cover	PP/PVDF
35	Wear bushing	Al203
37	O-ring	EPDM/VITON
38	Impeller	PP/PVDF
40	Nut	AISI304
41	O-ring	EPDM/VITON
42	Pump head	PP/PVDF
43	Elbow	PP/PVDF
44	Flow pipe	PP/PVDF
45	O-ring	EPDM/VITON
46	Screw	AISI304
47	Reinforced wing	PP
49	Flange	PP
50	Screw	AISI304
51	Screw	AISI304
52	O-ring	EPDM/VITON

DIMENSIONS/DIMENSIONI D'INGOMBRO



PUMP TYPE	MOTOR FLANGE B5	POT. Kw	DIMENSIONS - mm -							L A RICHIESTA DA 500 A 1000mm ON REQUEST FROM 500 TO 1000mm		
			ø A	ø M	ø B	D	E	F	G		H	* I
HV 120	G 90 S	1.5	2" FEMALE	1 1/2" MALE	215	135	165	360	300	196	255	

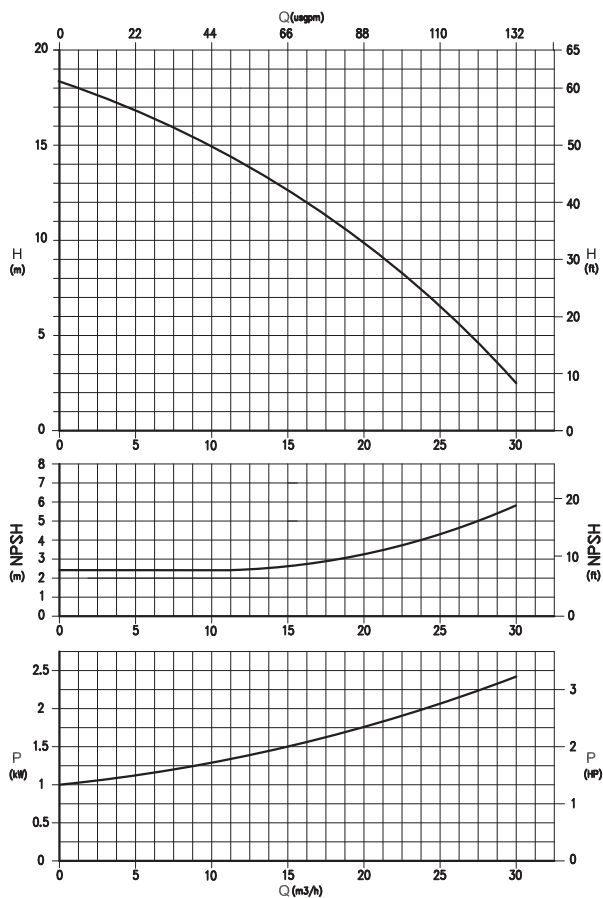
* Different according to the manufacturer / Diverso a seconda del fornitore

FEATURES/CARATTERISTICHE

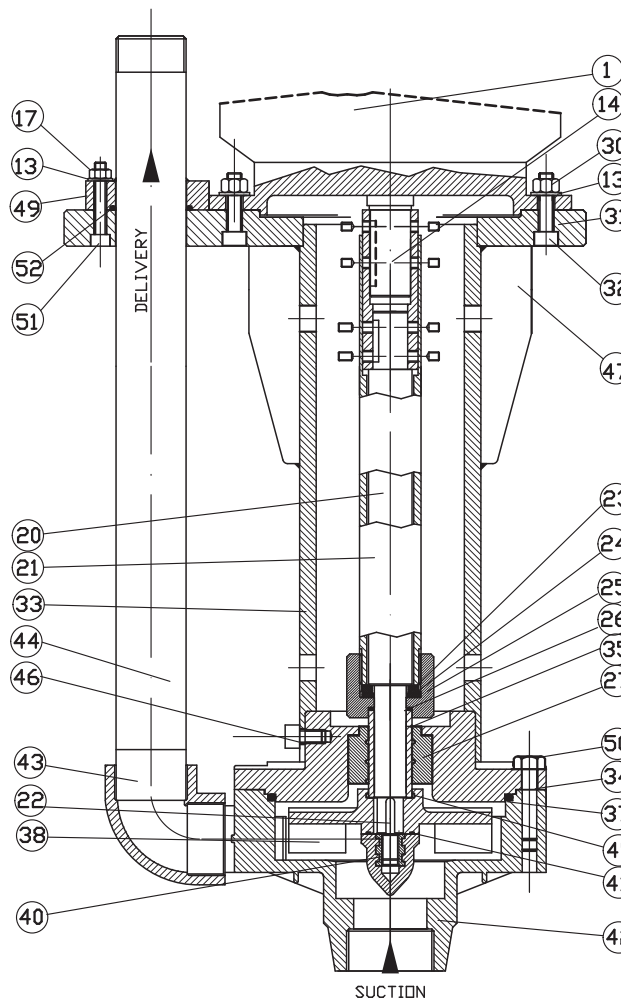
Pump HV/Pompa HV: Vertical centrifugal monobloc
Verticale centrifuga monoblocco

Materials available/Materiali disponibili: PP-PVDF
Max flow/Portata massima: 30 m³/h
Max head/Prevalenza massima: 18 m
Max temperature/Temperatura massima: PP 60°C/PVDF 90°C

CURVES/CURVE 50HZ-2900 RPM

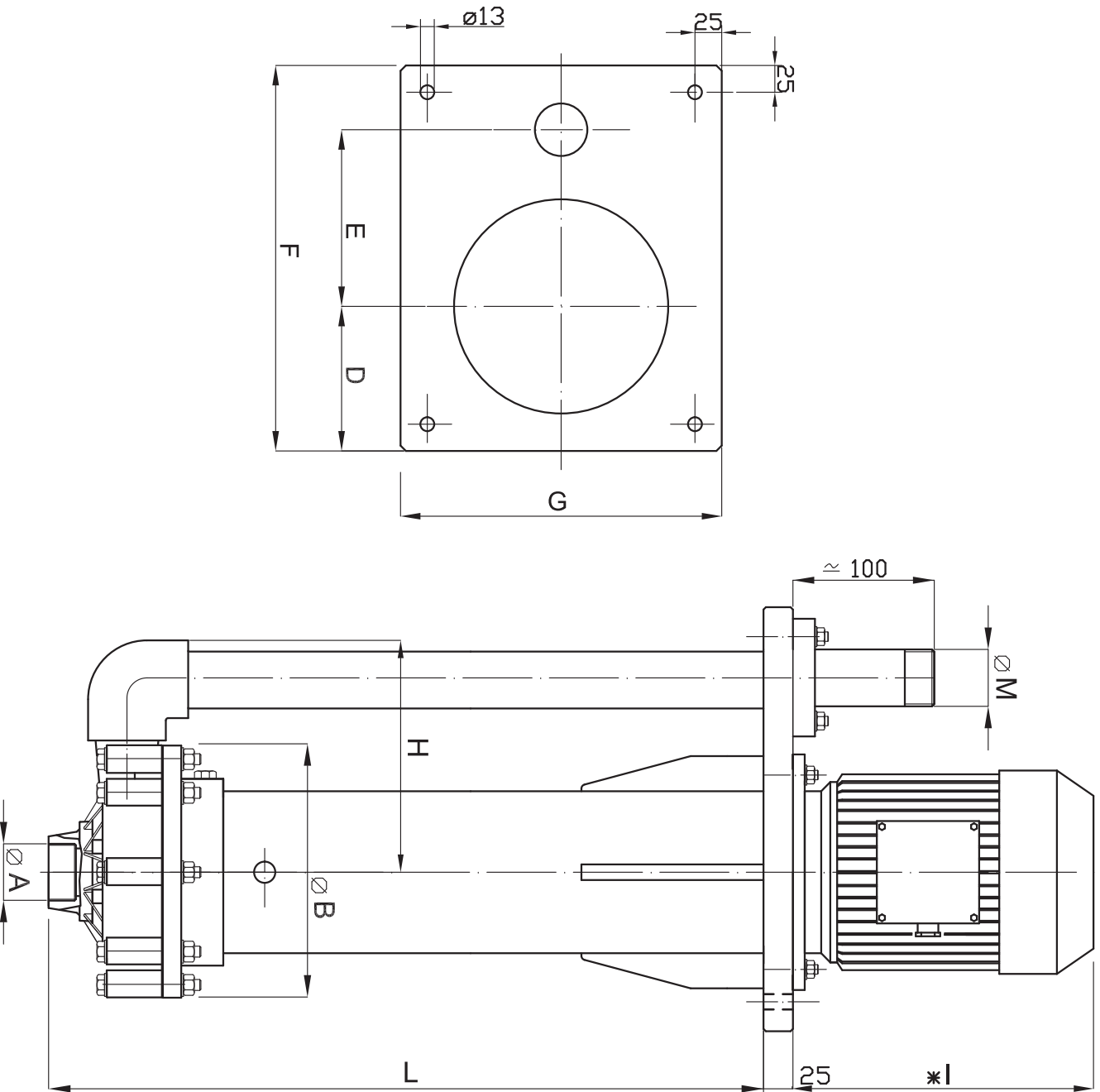


SECTION AND PARTS LIST/SEZIONE E LISTA PARTI



PDS	DESCR.	MAT.
1	Motor	
13	Washer	AISI304
14	Motor-Pump Joint	AISI304-316
17	Nut	AISI304
20	Shaft	C40
21	Shaft covering	PP
22	Key	AISI304
23	Washer	AISI304
24	Washer	AISI304
25	Guide shaft cov.	PP
26	O-ring	EPDM/VITON
27	Bushing	PTFEC
30	Nut	AISI304
31	Plate	PP
32	Screw	AISI304
33	Column	PP
34	Cover	PP/PVDF
35	Wear bushing	Al203
37	O-ring	EPDM/VITON
38	Impeller	PP/PVDF
40	Nut	AISI304
41	O-ring	EPDM/VITON
42	Pump head	PP/PVDF
43	Elbow	PP/PVDF
44	Flow pipe	PP/PVDF
45	O-ring	EPDM/VITON
46	Screw	AISI304
47	Reinforced wing	PP
49	Flange	PP
50	Screw	AISI304
51	Screw	AISI304
52	O-ring	EPDM/VITON

DIMENSIONS/DIMENSIONI D'INGOMBRO



PUMP TYPE	MOTOR FLANGE B5	POT. Kw	DIMENSIONS - mm -							L		
			ϕA	ϕM	ϕB	D	E	F	G		H	* I
HV 130	G 90 L	2.2	2" FEMALE	1"1/2" MALE	215	135	165	360	300	196	280	A RICHIESTA DA 500 A 1000mm ON REQUEST FROM 500 TO 1000mm

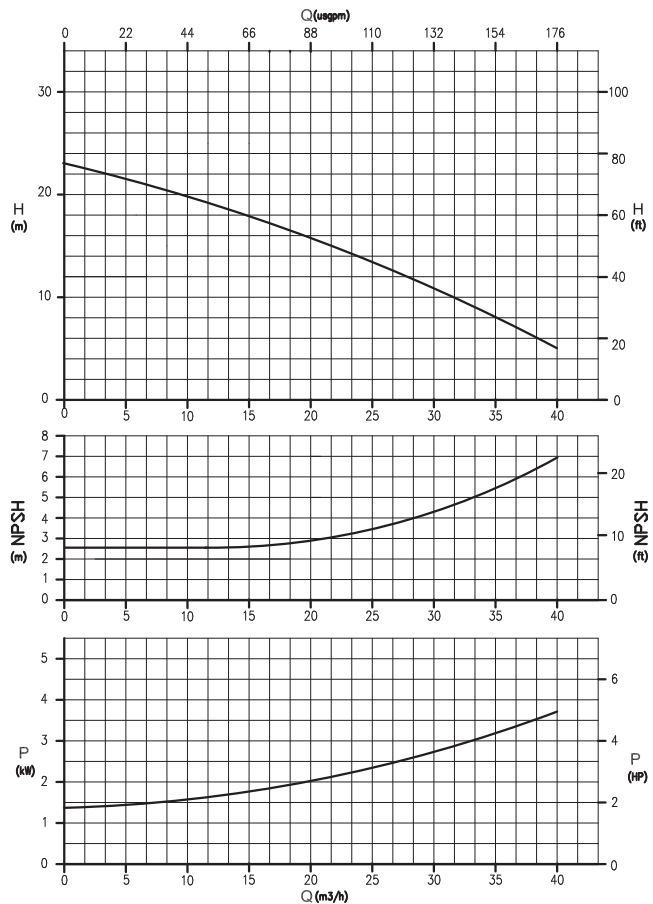
* Different according to the manufacturer / Diverso a seconda del fornitore

FEATURES/CARATTERISTICHE

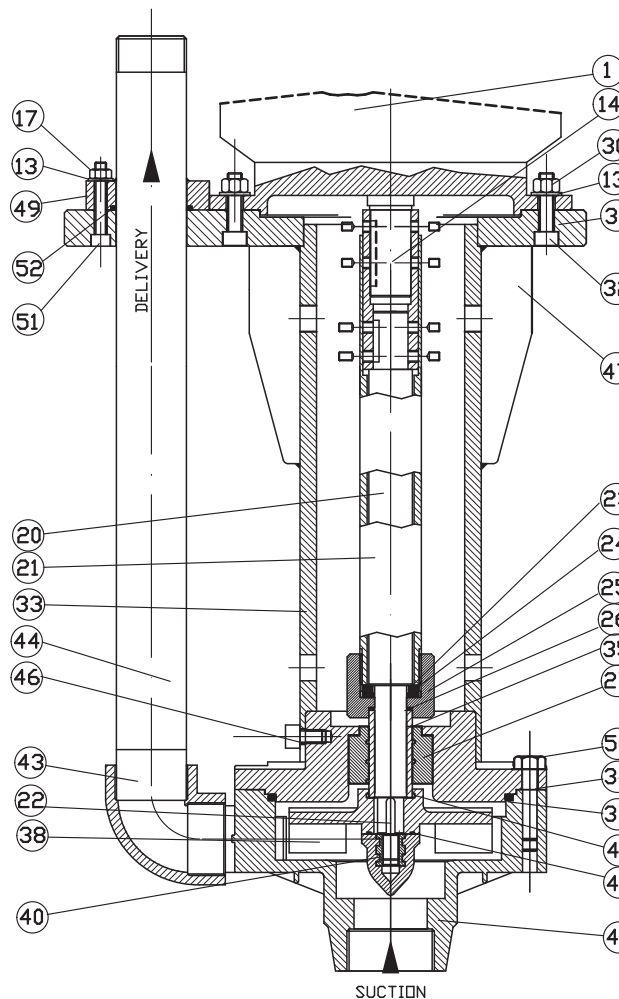
Pump HV/Pompa HV: Vertical centrifugal monobloc
Verticale centrifuga monoblocco

Materials available/Materiali disponibili: PP-PVDF
Max flow/Portata massima: 40 m³/h
Max head/Prevalenza massima: 22 m
Max temperature/Temperatura massima: PP 60°C/PVDF 90°C

CURVES/CURVE 50HZ-2900 RPM

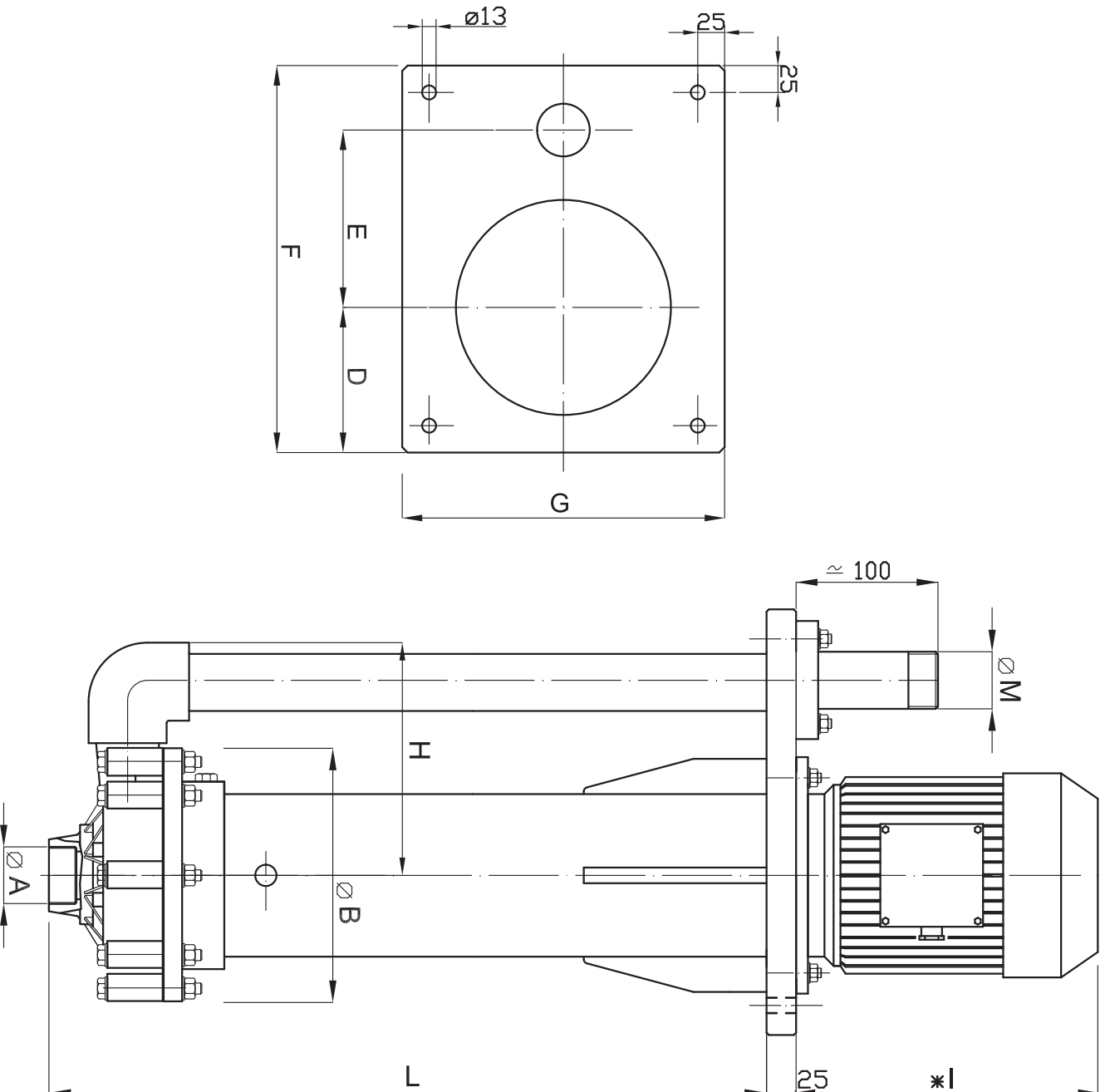


SECTION AND PARTS LIST/SEZIONE E LISTA PARTI



PDS	DESCR.	MAT.
1	Motor	
13	Washer	AISI304
14	Motor-Pump Joint	AISI304-316
17	Nut	AISI304
20	Shaft	C40
21	Shaft covering	PP
22	Key	AISI304
23	Washer	AISI304
24	Washer	AISI304
25	Guide shaft cov.	PP
26	O-ring	EPDM/VITON
27	Bushing	PTFEC
30	Nut	AISI304
31	Plate	PP
32	Screw	AISI304
33	Column	PP
34	Cover	PP/PVDF
35	Wear bushing	Al203
37	O-ring	EPDM/VITON
38	Impeller	PP/PVDF
40	Nut	AISI304
41	O-ring	EPDM/VITON
42	Pump head	PP/PVDF
43	Elbow	PP/PVDF
44	Flow pipe	PP/PVDF
45	O-ring	EPDM/VITON
46	Screw	AISI304
47	Reinforced wing	PP
49	Flange	PP
50	Screw	AISI304
51	Screw	AISI304
52	O-ring	EPDM/VITON

DIMENSIONS/DIMENSIONI D'INGOMBRO



PUMP TYPE	MOTOR FLANGE B5	POT. Kw	DIMENSIONS - mm -								L A RICHIESTA DA 500 A 1000mm ON REQUEST FROM 500 TO 1000mm	
			Ø A	Ø M	Ø B	D	E	F	G	H		* I
HV 140	G 100 L	3	2" FEMALE	1"1/2" MALE	215	135	165	360	300	196	315	

* Different according to the manufacturer / Diverso a seconda del fornitore